

GRIDDLES

ATMG-24 / ATMG-36 / ATMG-48



ATMG-24



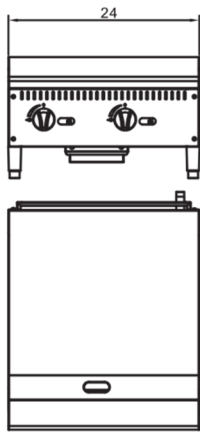
ATMG-36



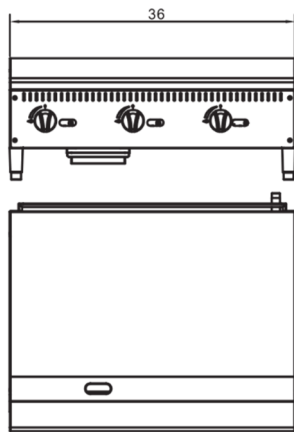
ATMG-48

PRODUCT DESCRIPTION

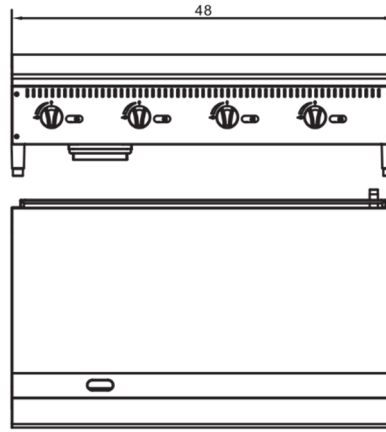
- Durable stainless steel structure, corrosion-resistant
- Reasonable and simple structure, easy to manipulate
- Adjustable stainless steel legs
- Highly efficient stainless steel burner, standby pilots
- Thick grill, excellent heat storage performance and even heating
- Independent manual controls to save the energy



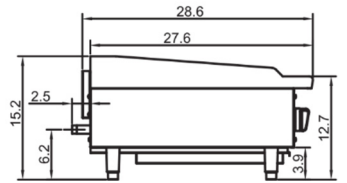
ATMG-24



ATMG-36



ATMG-48



SPECIFICATIONS

Model	Burners and Control Method	Gas Type	Intake-tube pressures (in.W.C.)	Per BTU B.T.U./h	Total BTU B.T.U./h	Regulator	ATCB Net Weight (LBS)Rock	Working Area (inch)	Packing Dimension (inch)	Gross Weight (LBS)
ATMG-24	2 Burners Independent Manual Control	NG	4	30,000	60,000	4" w.c.	160.9	23.9 x 19.9	26.8 x 31.1 x 18.2	194.5
		LP	10	30,000	60,000	10" w.c.				
ATMG-36	3 Burners Independent Manual Control	NG	4	30,000	90,000	4" w.c.	229	35.7 x 19.9	38.6 x 31.1 x 18.2	280.9
		LP	10	30,000	90,000	10" w.c.				
ATMG-48	4 Burners Independent Manual Control	NG	4	30,000	120,000	4" w.c.	294	47.9 x 19.9	51.6 x 32.7 x 17.6	414
		LP	10	30,000	120,000	10" w.c.				