

STOCK POT STOVE

ATSP-18-1 / ATSP-18-2 / ATSP-18-1L / ATSP-18-2L



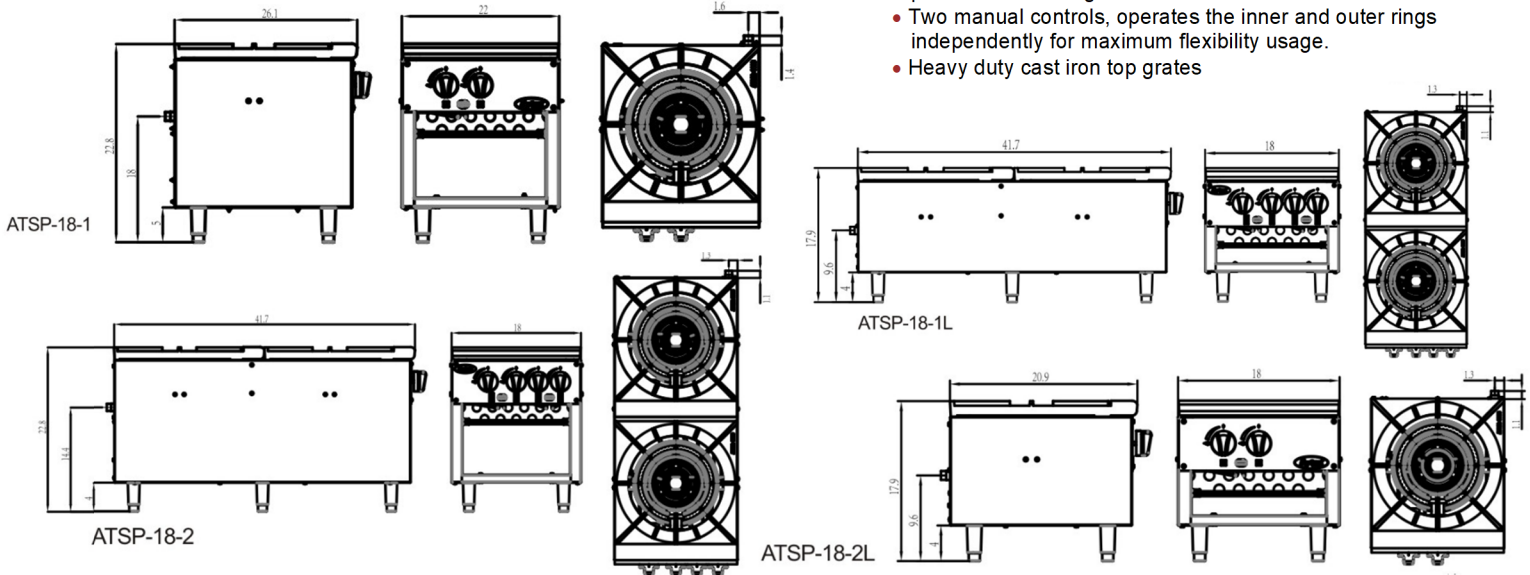
ATSP-18-1



ATSP-18-2

PRODUCT DESCRIPTION

- New full width, removable stainless-steel drip pan for easy clean up
- Compact, heavy duty chassis for a long-life span
- Stainless steel tubing for pilots
- Stainless steel sides and front valve cover
- One-year limited warranty, parts, and labor
- Heavy, cast iron three-ring burner, rated at a total of 80,000 BTU/hr
- Burner is equipped with two continuous pilots strategically placed for instant ignitions of each section
- Two manual controls, operates the inner and outer rings independently for maximum flexibility usage.
- Heavy duty cast iron top grates



SPECIFICATIONS

Model	Burners and Control Method	Gas Type	Intake-tube pressures (in.W.C.)	Per BTU B.T.U./h	Total BTU B.T.U./h	Regulator	Net Weight (LBS)	Packing Dimension (inch)	Gross Weight (LBS)
ATSP-18-1	1 Burner Independent Manual Control	NG	4	40,000	80,000	4" w.c.	105.8	20.9 x 24.8 x 25	119
		LP	10	40,000	80,000	10" w.c.			
ATSP-18-2	2 Burners Independent Manual Control	NG	4	40,000	160,000	4" w.c.	201.7	20.9 x 45.7 x 25	221.6
		LP	10	40,000	160,000	10" w.c.			
ATSP-18-1L	1 Burner Independent Manual Control	NG	4	40,000	80,000	4" w.c.	105.8	20.9 x 24.8 x 20.1	116.8
		LP	10	40,000	80,000	10" w.c.			
ATSP-18-2L	2 Burners Independent Manual Control	NG	4	40,000	160,000	4" w.c.	201.7	20.9 x 45.7 x 20.1	220.5
		LP	10	40,000	160,000	10" w.c.			