

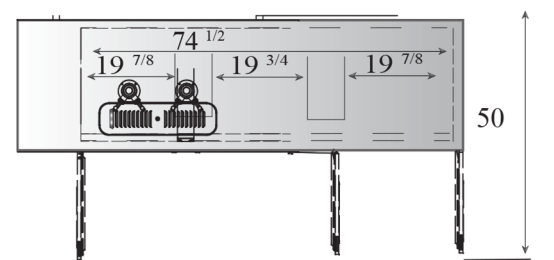
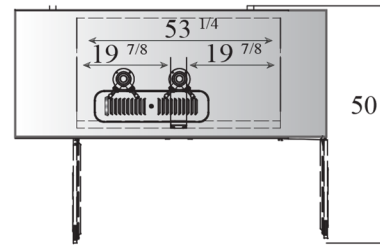
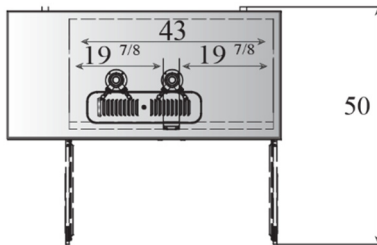
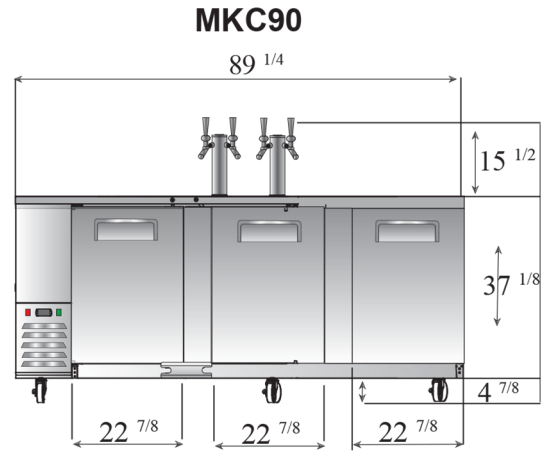
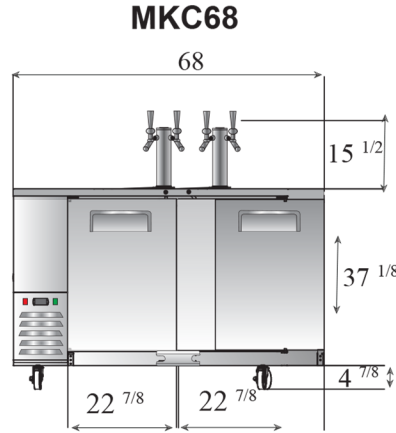
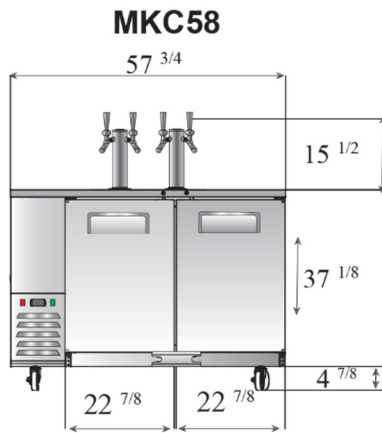
## KEG COOLERS

**MKC58 / MKC68 / MKC90**



### PRODUCT DESCRIPTION

- Stainless steel exterior and interior design
- Embraco compressor, heavy duty
- Dixell digital temperature control system
- Environmentally friendly R290 refrigerant
- Magnetic door gaskets
- Standard safety door locks
- Pre-installed epoxy coated shelves
- Pre-installed castors
- Bottle coolers have built-in bottle opener
- Bottle cap catchers
- Draft beer coolers have dual faucet towers



### SPECIFICATIONS

Model	Doors	Cu.Ft	Shelves	Exterior Dimensions (W*D*H)	Castors	Weight (LBS)	HP	Voltage	Amps	Refrigerant
MKC58	2	17.3	2	57.8 x 28.1 x 42.2	4 inch	258	1/6	115/60/1	2.3	R290
MKC68	2	21.5	3	68.0 x 28.1 x 42.2	4 inch	291	1/6	115/60/1	2.3	R290
MKC90	3	30.1	4	89.3 x 28.1 x 42.2	4 inch	357	1/5	115/60/1	2.8	R290